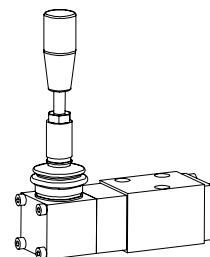


Poppet valve manually operated

- 2/2-, 3/2- and 3/4-way construction
- $Q_{max} = 15 \text{ l/min}$
- $p_{max} = 350 \text{ bar}$

NG4-Mini[®]

DESCRIPTION

Poppet valve, flanged design NG4-Mini according to Wandfluh standard, available as a 2/2 or 3/2-way valve (normally open or closed) and as a 3/4-way valve (normally closed). The central functioning element of all directly controlled poppet valves in the NG4-Mini series is the poppet valve cartridge NG4. See data sheet 1.11-2020.

FUNCTION

The valve is manual lever which in turn either opens or closes the poppet. The design of the poppet spool, which is equal in surface area on both sides and thus pressure balanced, means there are no undue opening and closing hydraulic forces. Due to this the oil flow through the poppet valve is possible in both directions. The valve is tight in both flow directions.

APPLICATION

Wandfluh poppet valves can be used anywhere absolutely leak tight closing functions are important. Completely sealed loading, gripping and clamping operations are all important functions which Wandfluh poppet valves can perform. Cartridge type poppet valves can be neatly accommodated in valve blocks. From a mechanical and functional point of view, poppet valves can replace slide valves at any time. NG4-mini valves are used where a light, compact unit is needed.

CONTENT

GENERAL SPECIFICATIONS	1
HYDRAULIC SPECIFICATIONS	1
CONTROL MECHANICAL	1
SYMBOLS	1
CHARACTERISTICS	2
DIMENSIONS	2
PARTS LIST	2
ACCESSORIES	2

TYPE CODE

2/2- or 3/2-way construction	B	H	<input type="checkbox"/>	2	04	<input type="checkbox"/>	#	<input type="checkbox"/>
3/4-way construction	B	H	<input type="checkbox"/>	3	4	04	#	<input type="checkbox"/>
Mounting interface								
Manual level								
2-way (connections)	<input type="checkbox"/>	<input type="checkbox"/>						
3-way (connections)	<input type="checkbox"/>	<input type="checkbox"/>						
2 position								
4 position								
Nominal size 4-Mini								
Normally closed, Manual level on A-side	<input type="checkbox"/>	<input type="checkbox"/>	<input type="checkbox"/>	<input type="checkbox"/>	<input type="checkbox"/>	<input type="checkbox"/>	<input type="checkbox"/>	<input type="checkbox"/>
Normally open, Manual level on B-side	<input type="checkbox"/>	<input type="checkbox"/>	<input type="checkbox"/>	<input type="checkbox"/>	<input type="checkbox"/>	<input type="checkbox"/>	<input type="checkbox"/>	<input type="checkbox"/>

Design-Index (Subject to change)

GENERAL SPECIFICATIONS

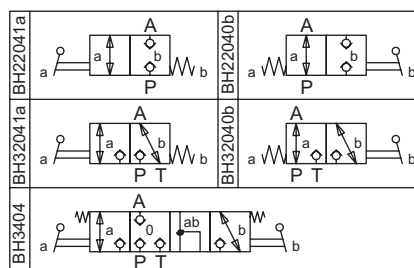
Description	2/2-, 3/2- and 3/4-way poppet valve
Nominal size	NG4-Mini acc. to Wandfluh standard
Construction	Direct operated poppet valve
Operations	manually operated
Mounting	Flange, 3 mounting holes for socket head screws M5x40
Connections	Threaded connection plates Multi-flange subplates Longitudinal stacking system
Ambient temperature	-20...+50°C
Mounting position	any, preferable horizontal
Fastening torque	$M_D = 5,5 \text{ Nm}$ (quality 8,8)
Weight: 2/2-, 3/2-way	$m = 0,95 \text{ kg}$
3/4-way	$m = 1,45 \text{ kg}$
Volume flow direction	any (see characteristics)

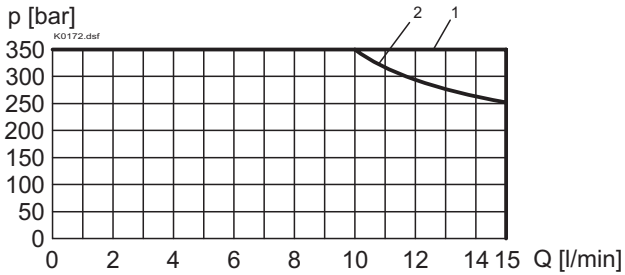
CONTROL MECHANICAL

Force	$F_{b,max.} = 20-120 \text{ N}$ (depending on flow direction and pressure)
Angle	$\alpha_b = 5^\circ$

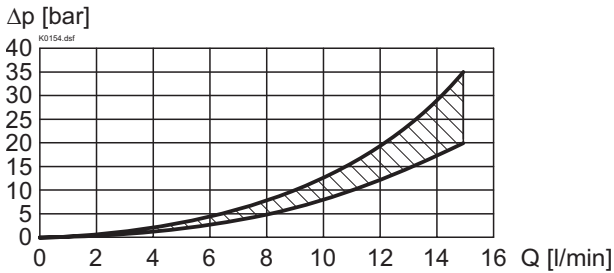
HYDRAULIC SPECIFICATIONS

Fluid	Mineral oil, other fluid on request
Contamination efficiency	ISO 4406:1999, class 20/18/14 (Required filtration grade $\beta_{10...16} \geq 75$) refer to data sheet 1.0-50/2
Viscosity range	12 mm ² /s...320 mm ² /s
Fluid temperature	-20...+70°C
Working pressure	$p_{max} = 350 \text{ bar}$
Max. volume flow	$Q_{max.} = 15 \text{ l/min}$ see characteristics

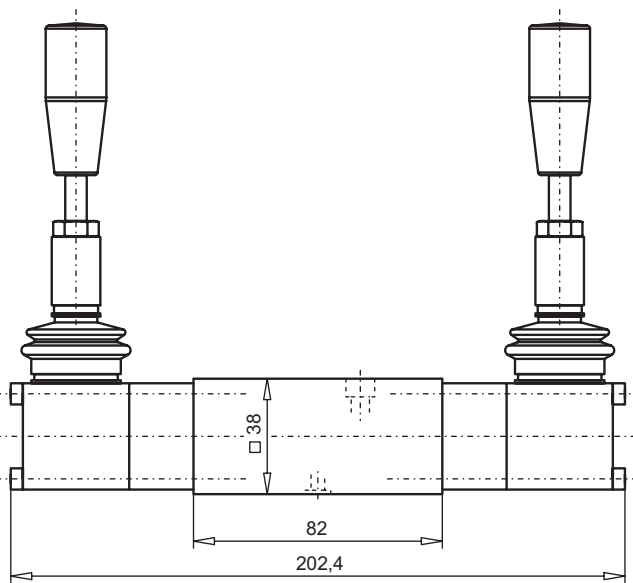
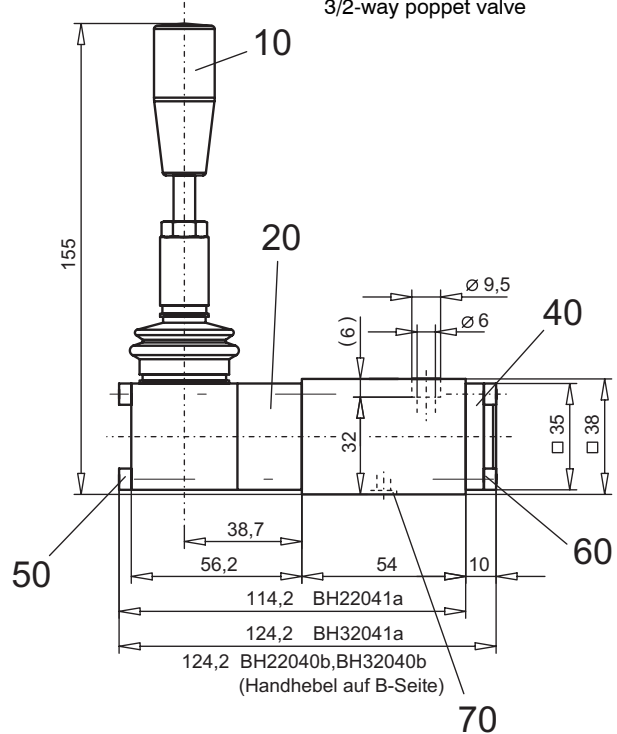
SYMBOLS


CHARACTERISTICS Oil viscosity $\nu = 30 \text{ mm}^2/\text{s}$
 $p = f(Q)$ Performance limit


Type	Flow direction			
	P - A	A - T	A - P	T - A
BH22041a	1	-	1	-
BH22040b	1	-	2	-
BH32041a	1	2	1	1
BH32040b	1	1	2	1
BH3404	1	1	1	1

 $\Delta p = f(Q)$ Pressure loss/flow characteristics

DIMENSIONS

3/4-way poppet valve


 2/2-way poppet valve
 3/2-way poppet valve

PARTS LIST

Position	Article	Description
10	253.2000	Manual pilot head BH11
20	074.2703	Flange
40	057.4201	Cover
50	249.1000	Socket head cap screw M4x63 DIN 912
60	246.1113	Socket head cap screw M4x12 DIN 912
70	160.2052	O-ring ID 5,28x1,78

ACCESSORIES

 Threaded connection plates, Multi-flange subplates and
 Longitudinal stacking system see Register 2.9

Technical explanation see data sheet 1.0-100E