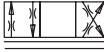
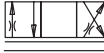



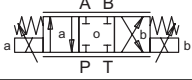
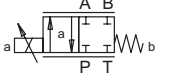
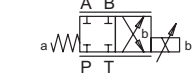
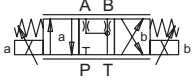
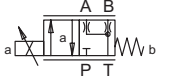
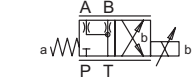
ELECTRICAL SPECIFICATIONS

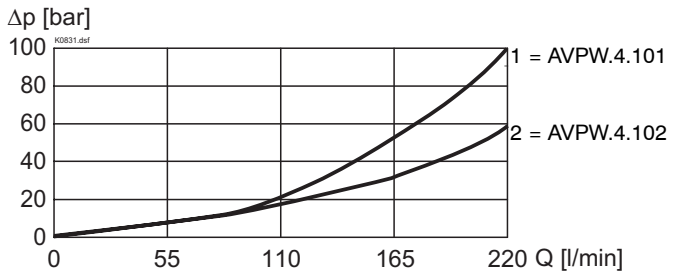
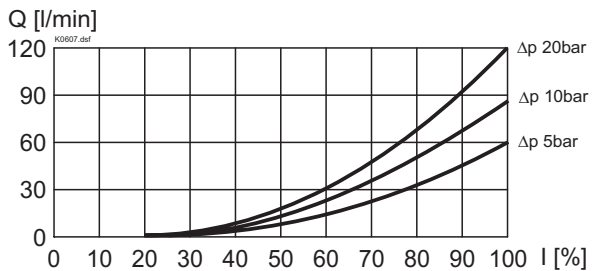
Construction	Proportional solenoid, wet pin push type, pressure tight.	
Standard-Nominal voltage	U = 12 VDC	U = 24 VDC
Limiting current	I _G = 1250 mA	I _G = 680 mA
Relative duty factor	100% DF (see data sheet 1.1-430)	
Protection class	IP 65 acc. to EN 60 529	
Connection / Power supply	Over device plug connection to ISO 4400 / DIN 43650 (2P+E)	
Other electrical specifications	see data sheet 1.1-116 (PI35V-M40)	

CONTROL MODE

Symmetrical	S	
Meter-in	V	
Meter-out	R	

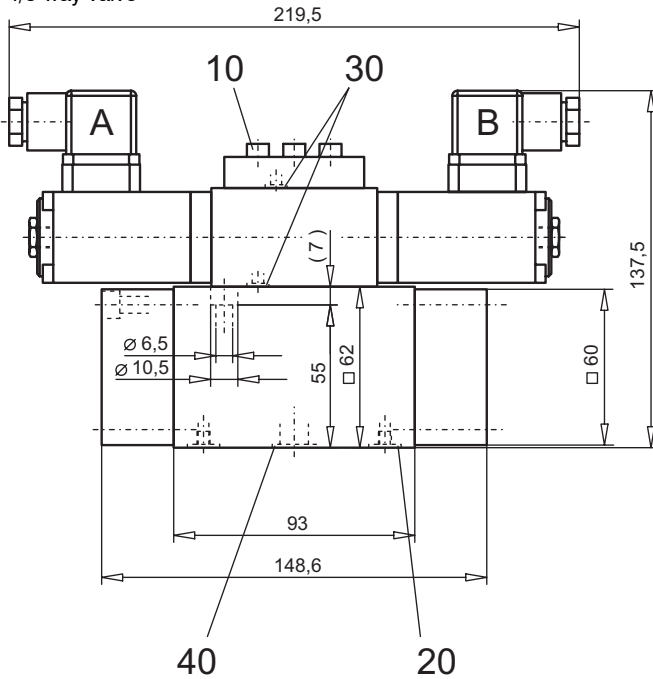
TYPE CHARTS / DESIGNATIONS OF SYMBOLS

	S V R .D101
	S V R .Z101a
	S V R .Z101b
	v .D102
	v .Z102a
	v .Z102b

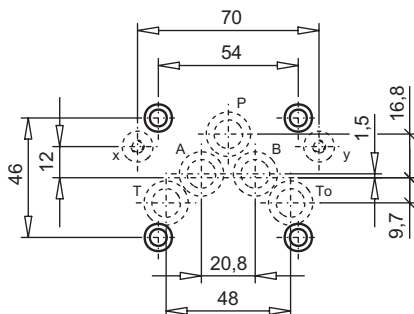
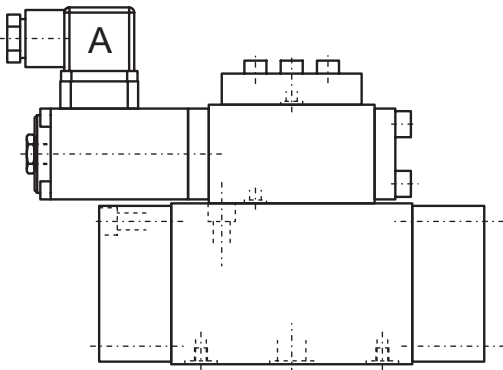
CHARACTERISTICS oil viscosity $\nu = 30 \text{ mm}^2/\text{s}$
 $\Delta p = f(Q)$ Pressure loss/flow-characteristic over 2 metering edges

 $Q = f(I)$ Volume flow-signal-characteristics


DIMENSIONS

4/3-way valve



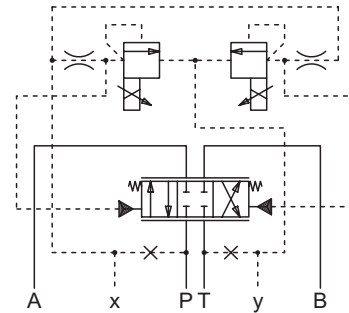
4/2-way valve


Mounting instruction

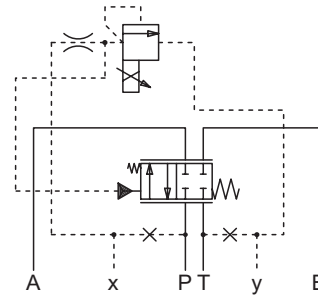
To screw the main valve body ($M_D = 9,5 \text{ Nm}$, quality 8.8) to the base plate the pilot valve ($M_D = 5,5 \text{ Nm}$, quality 8.8) must be taken off.

HYDRAULIC DIAGRAM

4/3-way valve



4/2-way valve


PARTS LIST

Position	Article	Description
10	246.2155	Cyl. screw M5x55 DIN 912
20	160.2093	O-ring ID 9,25x1,78
30	160.2052	O-ring ID 5,28x1,78
40	160.2140	O-ring ID 14,00x1,78

ACCESSORIES

Sub-plates
 Proportional-amplifier

Register 1.9
 Register 1.13

Technical explanation see data sheet 1.0-100E