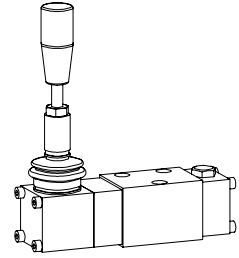


**Spool valve**
**Hand- or roller operated**

- 4/2- and 4/3-way detented
- 4/3-way with spring centred mid position
- 4/2-way with spring reset
- $Q_{max} = 20 \text{ l/min}$ ,  $p_{max} = 315 \text{ bar}$

**NG4-Mini<sup>®</sup>**

**DESCRIPTION**

Spool valve NG4-Mini, flange type in accordance to Wandfluh standard with 4 connections, directly operated by hand or roller, in 5 chamber system. The hand lever valve is available with locked spool or with spring reset. The dancing roller valve only has a spring reset facility. Precise spool fit, little leakage, long life. Threaded connection by means of additional connecting plate. Hardened steel spool, the valve body being made from a high quality casting suitable for hydraulic applications. The valve body is painted, the end cover and lever housing are phosphatised.

**FUNCTION**

When actuated, the lever or roller displaces the spool to the corresponding switching position.

- 4/2- and 4/3-way manual valves with spring, 1 lever and 2 or 3 switching positions. The spring presses the spool back into the home position.
- 4/2- and 4/3-way manual lever valve with lock, 1 lever and 2 or 3 switching positions. The lock holds the spool in the last position selected.
- 4/2-way dancing roller valve, 1 dancing roller and 2 switching positions. The spring presses the spool back to the starting position.

**APPLICATION**

Mechanically operated spool valves are mainly used to control the direction of movement and retain hydraulic cylinders and motors. The direction of movement is determined by the position of the valve spool and its symbol. Mechanically operated valves are particularly suitable for use in installations where no control current is available or for applications in areas where there is a risk of explosion (chemical industry, tunnel construction). Mini-4 valves are used where both, reduced dimensions and weight are important.

**CONTENTS**

GENERAL SPECIFICATIONS .....	1
HYDRAULIC SPECIFICATIONS .....	1
CONTROL MECHANICAL .....	1
TYPE CHARTS / SYMBOLS .....	2
CHARACTERISTICS .....	2
DIMENSIONS .....	3
PARTS LIST .....	3
ACCESSORIES .....	3

**TYPE CODE**

Interface	B	<input type="checkbox"/>	4	<input type="checkbox"/>	/	<input type="checkbox"/>	#	<input type="checkbox"/>
Operation:	Hand lever	<input type="checkbox"/> H						
	Roller	<input type="checkbox"/> T						
No. of control ports								
Type charts/Symbols with operation acc. to table 1.5-20/2	side- a	<input type="checkbox"/> a						
	side- b	<input type="checkbox"/> b						
Spring return		<input type="checkbox"/> f						
Detented		<input type="checkbox"/> r (only by hand lever operation)						
Design-Index (Subject to change)								

**GENERAL SPECIFICATIONS**

Description	4/2-, 4/3-way valve
Nominal size	NG4-Mini to Wandfluh standard
Construction	Direct operated spool valve
Operations	Hand operated (hand lever) or roller
Mounting	Flange 3 fixing holes for socket head cap screws M5x40
Connections	Threaded connection plates Multi-flange plates Longitudinal stacking system
Ambient temperature	-20...50°C
Mounting position	any, preferable horizontal
Fastening torque	$M_D = 5,5 \text{ Nm}$ (screw quality 8.8)
Weight: Hand lever	$m = 0,87 \text{ kg}$
Roller	$m = 0,85 \text{ kg}$

**HYDRAULIC SPECIFICATIONS**

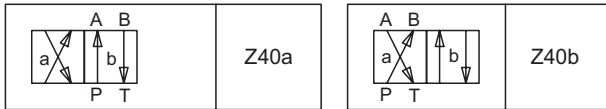
Fluid	Mineral oil, other fluid on request
Contamination efficiency	ISO 4406:1999, class 20/18/14 (Required filtration grade $\beta_{10...16} \geq 75$ ) refer to data sheet 1.0-50/2
Viscosity range	12 mm <sup>2</sup> /s...320 mm <sup>2</sup> /s
Fluid temperature	-20...+70°C
Operating pressure	
in port P, A, B	$p_{max} = 315 \text{ bar}$
Tank pressure	
in port T	$p_{max} = 100 \text{ bar}$
Max. Volume flow	$Q_{max} = 20 \text{ l/min}$ see characteristics
Leakage volume flow	see characteristics

**CONTROL MECHANICAL**

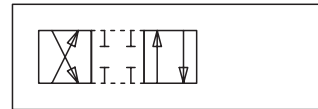
Angle (Hand lever)	$\alpha_b = 5,7^\circ / \text{side}$
Stroke (Roller)	$S_b = 2 \text{ mm}$
Force: Hand lever	$F_b = 15 - 20 \text{ N}$
Roller	$F_b = 90 - 120 \text{ N}$

**TYPE LIST / DESIGNATION OF SYMBOLS**

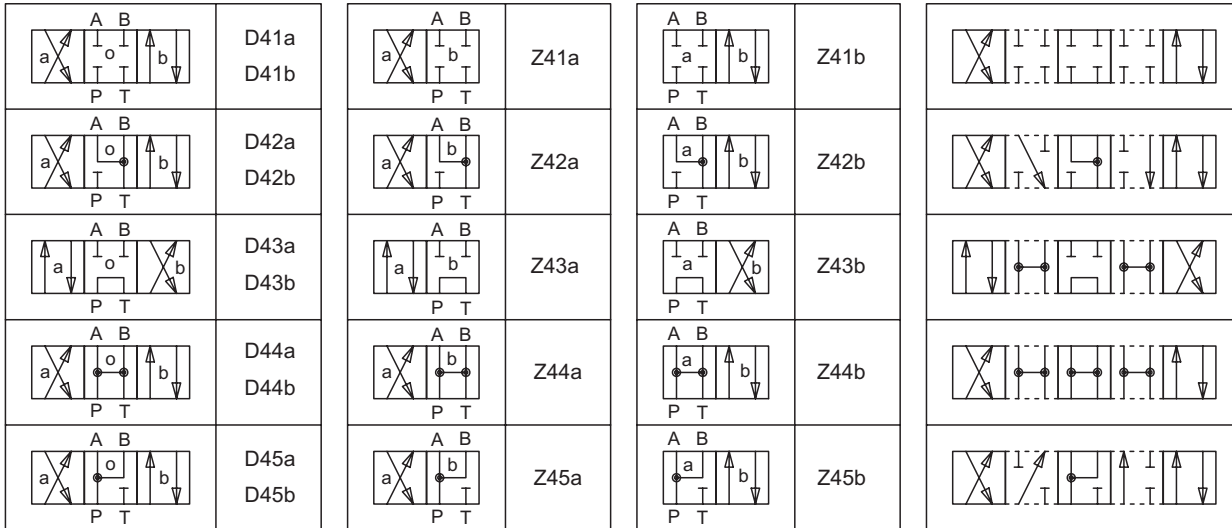
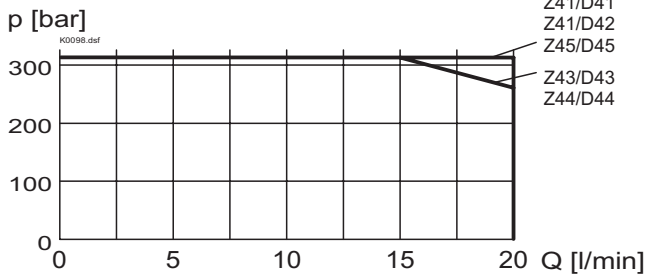
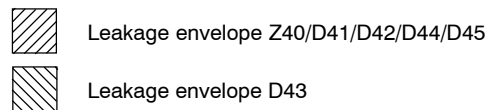
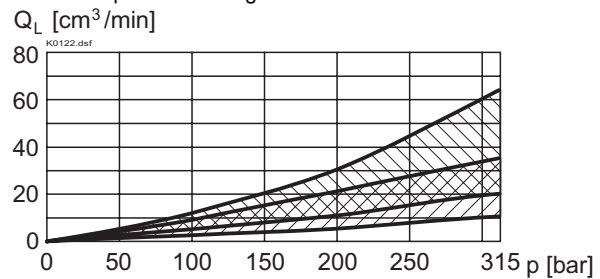
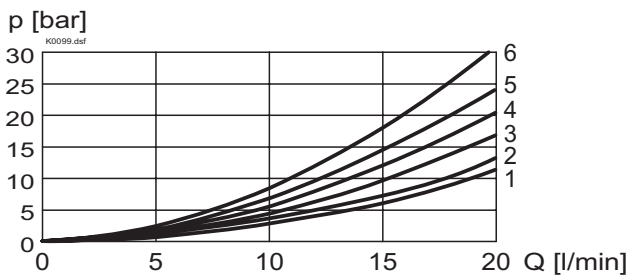
4/2-way valve with spring reset or detented



Transitional functions



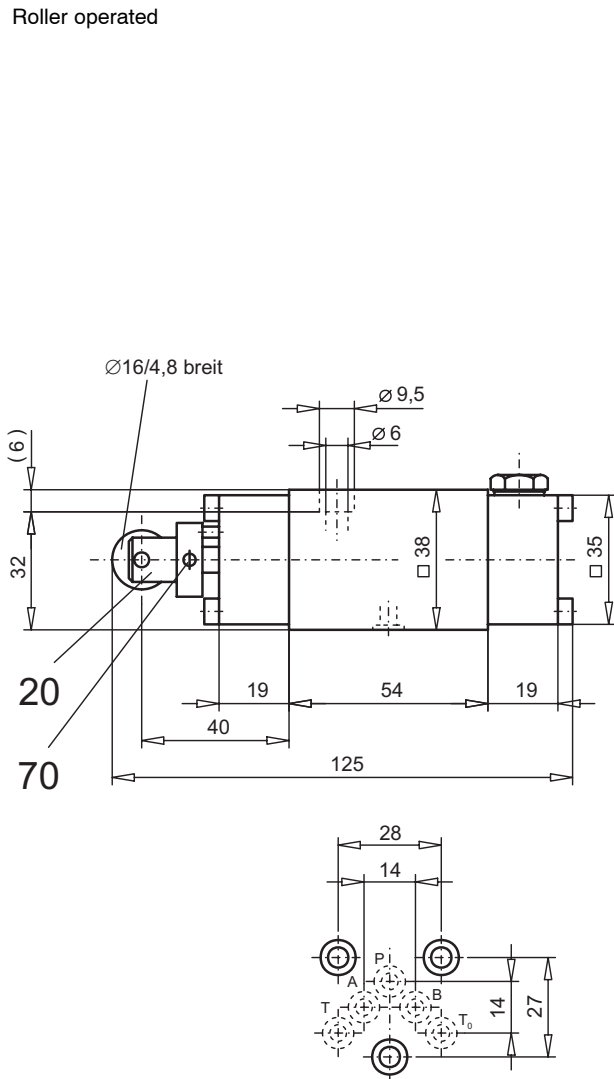
4/3-way valve spring centered or detented


**CHARACTERISTICS** Oilviscosity  $\nu = 30 \text{ mm}^2/\text{s}$ 
 $p = f(Q)$  Performance limits

 $Q_L = f(p)$  Leakage volume flow characteristics per control edge

 $\Delta p = f(Q)$  Pressure drop volume flow characteristics


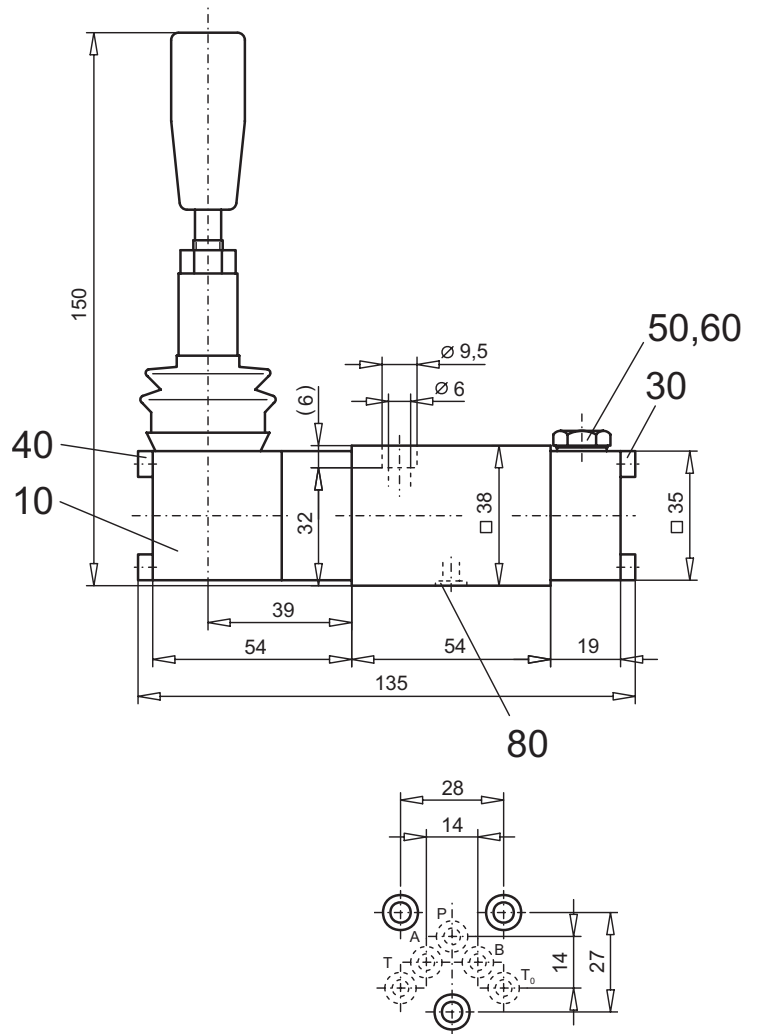
Symbol	Pressure drop curve no.	Volume flow direction				
		P - A	P - B	P - T	A - T	B - T
Z40	5	5	-	2	2	
D41/Z41	5	5	-	2	2	
D42/Z42	5	5	-	2	2	
D43/Z43	4	4	6	1	1	
D44/Z44	4	4	3	1	1	
D45/Z45	4	4	-	2	2	

**DIMENSIONS**

Roller operated



Hand operated


**PARTS LIST**

Position	Article	Description
10	253.2000	Hand control head BH II
20	253.2100	Mechanical control head BT II
30	246.1125	Socket head cap screw M4x25 DIN 912
40	246.1160	Socket head cap screw M4x60 DIN 912
50	238.1100	Plug screw galv. M10x1 DIN 7604A (by spring centred version)
	239.1102	Plug screw (by dedented version)
60	049.1100	Cop. seal ring NG10x13,5x1 DIN 7603 (only by dedented version)
70	221.2272	Spring tension pin Ø3x16 DIN 1481
80	160.2052	O-ring ID5,28x1,78

**ACCESSORIES**

 Threaded connection plates, Multi-flange plates  
 and longitudinal stacking system

register 2.9

Technical explanation see data sheet 1.0-100E