

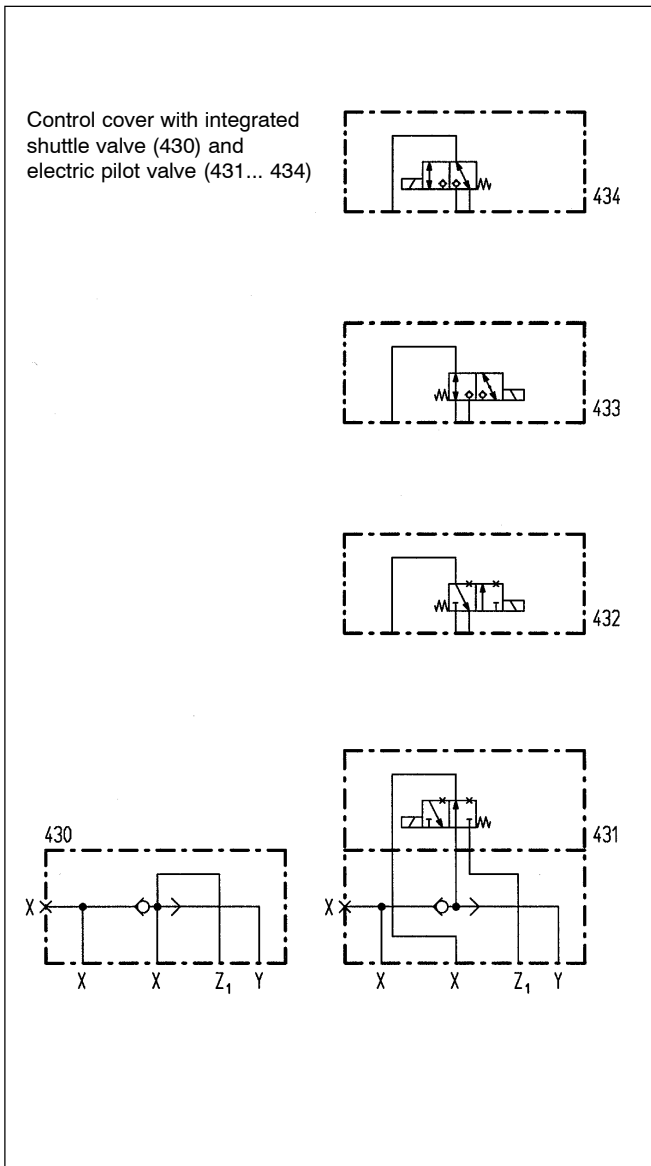
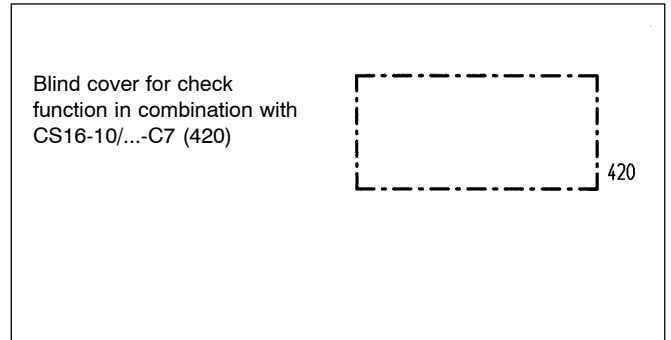
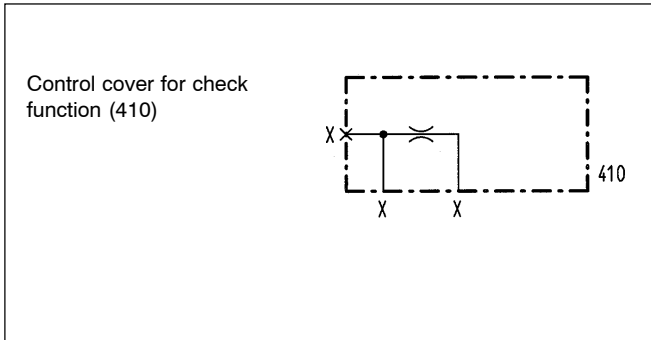
**Control cover  
for check function**

•  $p_{max} = 350 \text{ bar}$

**NG 16**

ISO 7368

DIN 24342



**GENERAL SPECIFICATIONS**

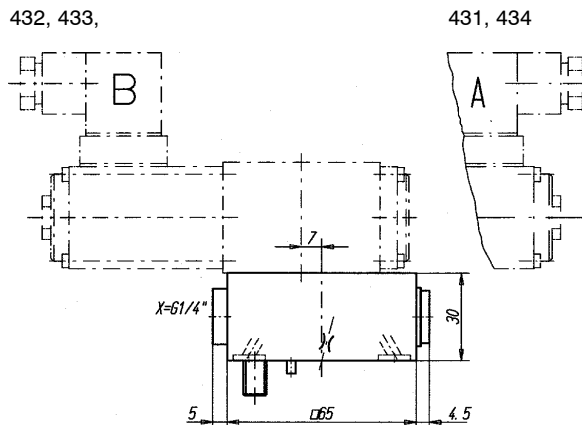
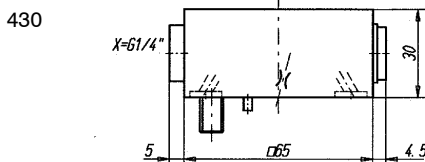
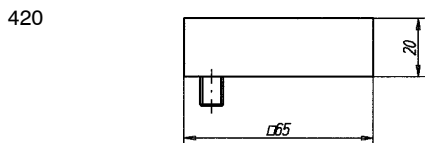
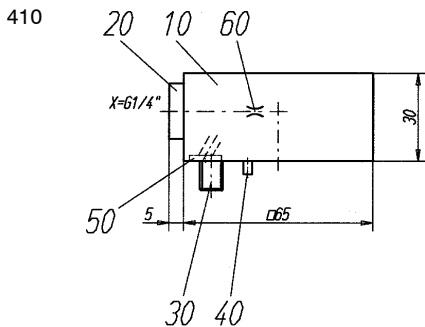
Construction	Control cover for check function
Mounting position	any
Installation dimension	see dimension to ISO 7368 / DIN 24342 see data sheet 2.13-1021
Ambient temperature	-20...+50°C
Fastening torque	M <sub>D</sub> = 25 Nm (qual. 8.8) for fixing screws

**HYDRAULIC SPECIFICATIONS**

Fluid	Mineral oil, other fluid on request
Contamination efficiency	ISO 4406:1999, class 18/16/13 (Required filtration grade β <sub>6...10</sub> ≥ 75) see data sheet no. 1.0-50/2
Viscosity range	12 mm <sup>2</sup> /s bis 320 mm <sup>2</sup> /s
Fluid temperature	-20...+70°C
Operation pressure	p <sub>max</sub> = 350 bar

**TYPE CODE**

Control cover	D 16		<input type="checkbox"/>	-	<input type="checkbox"/>	/	<input type="checkbox"/>	#	<input type="checkbox"/>
Nominal size 16									
Pilot no. 410...434									
Solenoid type for pilot valve									
Standard:	431, 432	<input type="checkbox"/>	M						
	433, 434	<input type="checkbox"/>	S						
Standard nominal voltage U <sub>N</sub>	12 VDC	<input type="checkbox"/>	G12	110 VAC	<input type="checkbox"/>	R110			
	24 VDC	<input type="checkbox"/>	G24	115 VAC	<input type="checkbox"/>	R115			
				230 VAC	<input type="checkbox"/>	R230			
Orifice in cover:	0.6 mm	<input type="checkbox"/>	0.6						
	1.0 mm	<input type="checkbox"/>	1.0	usw.					
Omit if without orifice									
Design-Index (Subject to change)									

**DIMENSIONS**

**PARTS LIST**

Position	Article	Description
10	63.0016	Plate to 410
	63.0005	Plate to 420
	63.0024	Plate to 430
	63.0030	Plate to 431, 432, 433, 434
20	238.2406	Locking screw VSTI G1/4"
30	246.4120	Cyl. screw M8x20 DIN912
	246.4130	Cyl. screw M8x30 DIN912
40	221.2255	Pin Ø3x10 DIN1481
50	160.2061	O-ring ID 6,02x2,62
60	118.2007	Orifice M5 / 0,6 x 5
	118.2008	Orifice M5 / 0,7 x 5
	118.2010	Orifice M5 / 0,8 x 5
	118.2011	Orifice M5 / 0,9 x 5
	118.2012	Orifice M5 / 1,0 x 5

**PILOT OPERATED VALVES**

Pilot operated valves:	431	BM4Z40a	Data sh. 1.2-31
	432	BM4Z40b	Data sh. 1.2-31
	433	BS32040b	Data sh. 1.11-2120
	434	BS32041a	Data sh. 1.11-2120