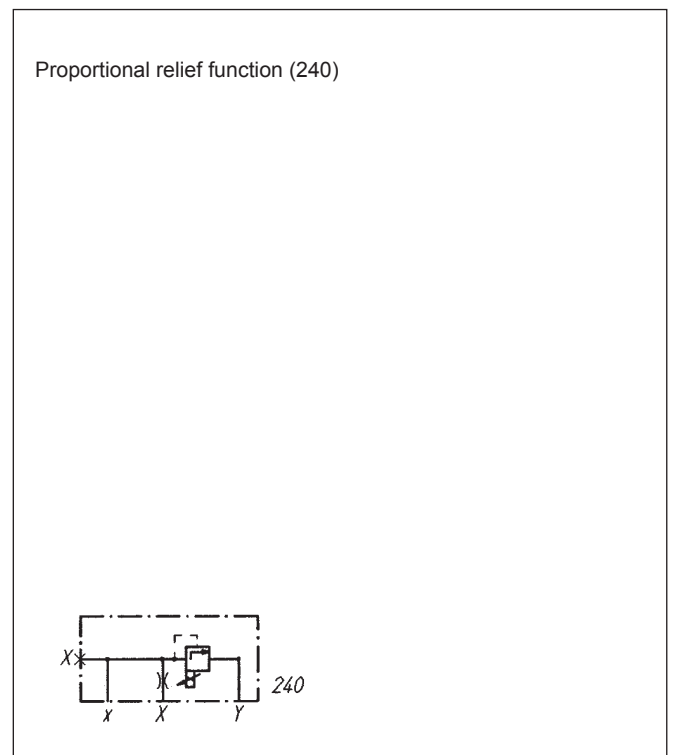
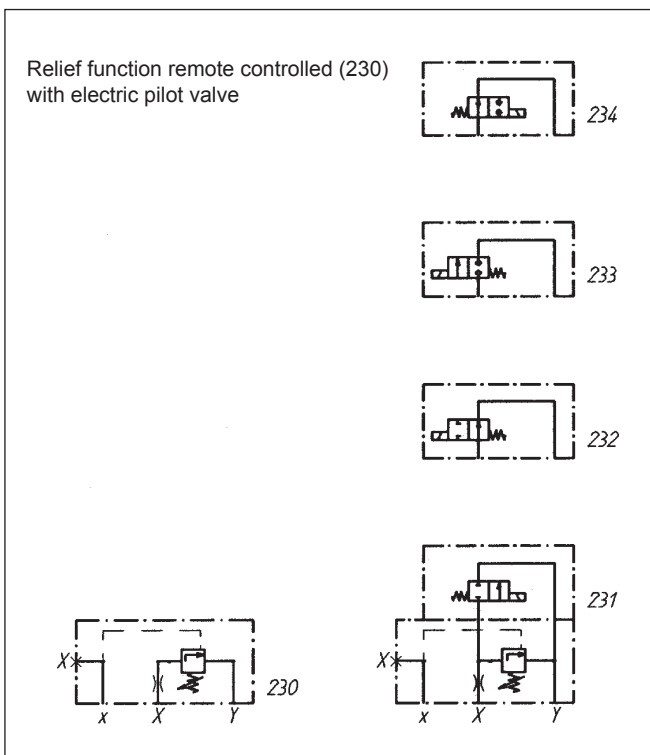
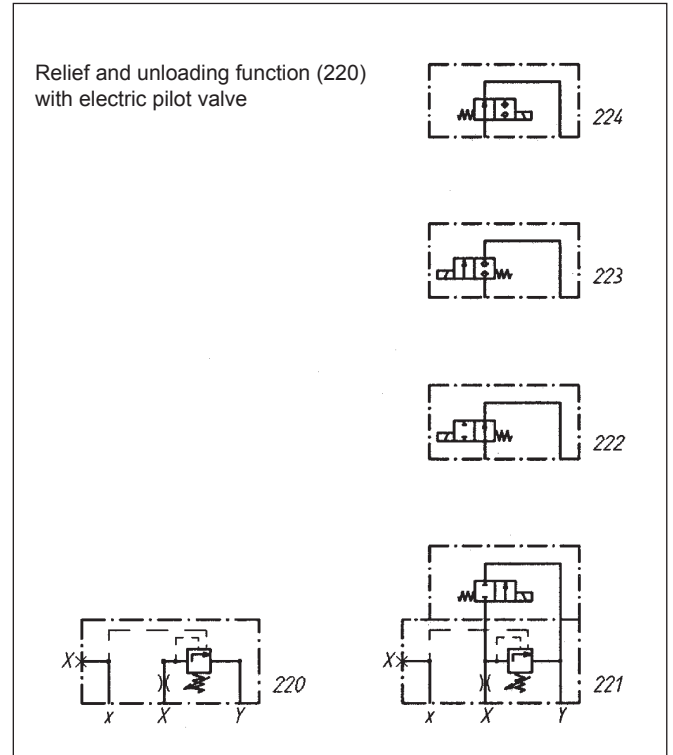
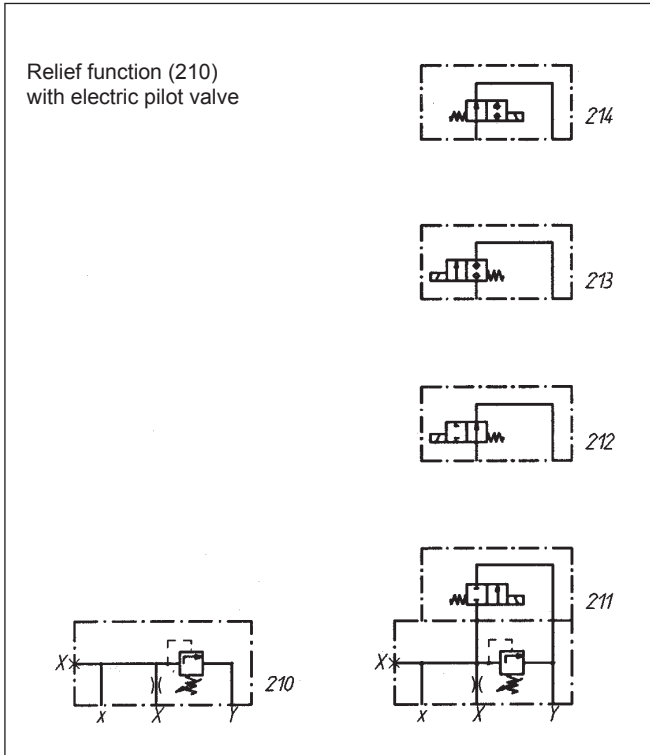


**Control cover  
for pressure function**

•  $p_{max} = 350 \text{ bar}$

**NG 32**  
ISO 7368  
DIN 24342



**GENERAL SPECIFICATIONS**

Construction	Control cover for pressure function
Mounting position	any
Installation dimension	see dimension to ISO 7368 / DIN 24342 see data sheet 2.13-1023
Ambient temperature	-20...+50°C
Fastening torque	M <sub>D</sub> = 190 Nm (qual. 8.8) for fixing screws

**HYDRAULIC SPECIFICATIONS**

Fluid	Mineral oil, other fluid on request
Contamination efficiency	ISO 4406:1999, class 18/16/13 (Required filtration grade β <sub>6</sub> ...10≥75) see data sheet no. 1.0-50/2
Viscosity range	12 mm <sup>2</sup> /s bis 320 mm <sup>2</sup> /s
Fluid temperature	-20...+70°C
Operation pressure	p <sub>max</sub> = 350 bar

**TYPE CODE**

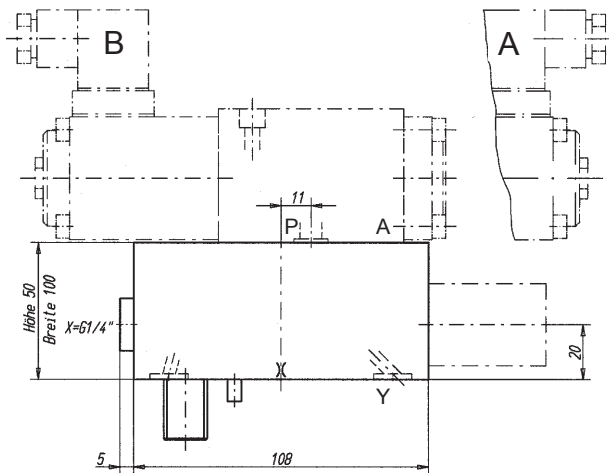
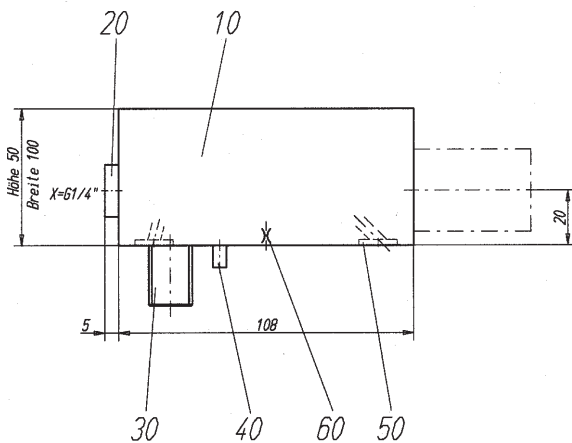
Control cover	D 32		<input type="checkbox"/>	-	<input type="checkbox"/>	/	<input type="checkbox"/>	-	<input type="checkbox"/>	#	<input type="checkbox"/>	
Nominal size 32												
Pilot no. 210...240												
Solenoid type for pilot valve												
Standard:	211, 212, 221, 222, 231, 232	<input type="checkbox"/>	M									
	213, 214, 223, 224, 233, 234	<input type="checkbox"/>	S									
	not applicable to 240											
Standard nominal voltage U <sub>N</sub>	12 VDC	<input type="checkbox"/>	G12	incl. 240	110 VAC	<input type="checkbox"/>	R110					
	24 VDC	<input type="checkbox"/>	G24	incl. 240	115 VAC	<input type="checkbox"/>	R115					
					230 VAC	<input type="checkbox"/>	R230					
Orifice in cover:	0.8 mm	<input type="checkbox"/>	0.8									
	1.0 mm	<input type="checkbox"/>	1.0	usw.								
Omit if without orifice												
Setting versions S, D, K, A (not applicable to cover 240) and press. range from press. valve z.B											<input type="checkbox"/>	D250
Design-Index (Subject to change)												

**DIMENSIONS**

210, 220, 230, 240

211, 221, 231, 214, 224, 234

212, 222, 232, 213, 223, 233


**VALVES**

Pilot operated valves:	211, 221, 231	WDMFA06-AB2	Data sh. 1.2-51
	212, 222, 232	WDMFA06-AB1	Data sh. 1.2-51
	213, 223, 233	AS22061a	Data sh. 1.11-2140
	214, 224, 234	AS22060b	Data sh. 1.11-2140
Pressure valves:	210...214	BS.PM22-Z36	Data sh. 2.1-543
	220...224	BY.PM22	Data sh. 2.1-544
	230...234	BX.PM22	Data sh. 2.1-544
	240	BDPPM22	Data sh. 2.3-540
Pressure ranges	210...214	63, 160, 350 [bar]	
from pressure	220...224	100, 315 [bar]	
valves:	230...234	100, 315 [bar]	
	240	40, 100, 200, 315 [bar]	

**PARTS LIST**

Position	Article	Description
10	63.2036 63.2037	Plate to 210, 220, 230, 240 Plate to other types
20	238.2406	Plug VSTI G1/4"
30	246.7155	Cyl. screw M16x55 DIN912
40	221.2470	Pin Ø5x16 DIN1481
50	160.2092	O-Ring ID 9,19x2,62
60	118.2010 118.2011 118.2012 118.2020 118.2021	Orifice M5 / 0,8 x 5 Orifice M5 / 0,9 x 5 Orifice M5 / 1,0 x 5 Orifice M5 / 1,2 x 5 Orifice M5 / 1,5 x 5