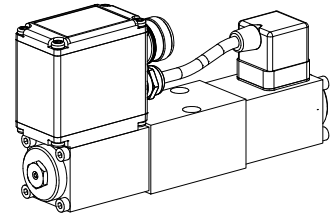


**Proportional directional control valve**

- Integrated amplifier or controller electronics
- Direct operated, not pressure compensated
- $Q_{max} = 20 \text{ l/min}$
- $Q_N = 8 \text{ l/min}$
- $p_{max} = 315 \text{ bar}$


**DESCRIPTION**

Direct operated proportional spool valve with integrated electronics in flange design NG4-Mini acc. to Wandfluh standard with 4 ports. These plug & play valves are factory set and adjusted. High valve-to-valve reproducibility. Housing for electronics with protection class IP67 for harsh environment. The spool valve is designed acc. to the 5 chamber principle. The volume flow is adjusted by a Wandfluh proportional solenoid (VDE standard 0580). Low pressure drop due to the body design and spool profiling. The spool is made of hardened steel. The body made of high grade hydraulic casting is painted. The solenoids are zinc coated and the housing for the electronics is made of aluminium.

**FUNCTION**

Proportionally to the command signal applied to the electronics spool stroke, metering opening and volume flow increase. The control connection is provided by an analog interface or a fieldbus interface (CANopen or Profibus DP). Parameter setting and diagnosis with the free-of-charge software «PASO» or via fieldbus interface. Data are stored in a non volatile memory. Even after an electric power failure settings can easily be reproduced and transmitted. These valves are available with an integrated controller as an option. As feedback signal source sensors with voltage or current output signal can be directly connected. The available controller structure has been optimised for applications with hydraulic actuators.

**APPLICATION**

Proportional directional spool valves with integrated electronics are well suited for demanding applications where high resolution, high volume flow and low hysteresis are requested. They are implemented in systems calling for good valve-to-valve reproducibility, easy installation, comfortable operation and high precision in industrial hydraulics as well as in mobile hydraulics for the smooth control of actuators. The integrated controller relieves the machine control system and operates the axis (position, angle, pressure, etc.) in a closed control loop. Application examples: pitch control of wind generators, forest and earth moving machines, machine tools and paper production machines with simple position controls, robotics and fan control.

**CONTENT**

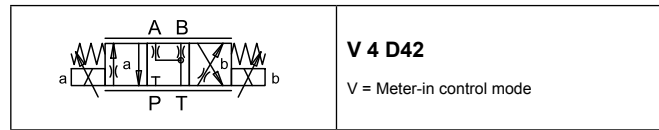
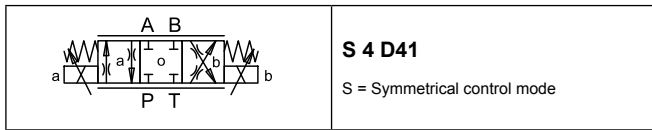
GENERAL SPECIFICATIONS.....	1
TYPE CHARTS/ DESIGNATIONS OF SYMBOLS .....	2
HYDRAULIC SPECIFICATIONS .....	2
ELECTRICAL SPECIFICATIONS.....	2
CONNECTOR WIRING DIAGRAM .....	2
START-UP .....	3
CHARACTERISTICS.....	3
DIMENSIONS.....	4
PARTS LIST .....	4
ACCESSORIES (not incl. in the delivery)....	4

**TYPE CODE**

		B	V	W	<input type="checkbox"/>	4	<input type="checkbox"/>	-	<input type="checkbox"/>	-	<input type="checkbox"/>	<input type="checkbox"/>	<input type="checkbox"/>	#	<input type="checkbox"/>
Interface															
With integrated electronics															
Proportional directional valve															
Control mode acc. to table 1.10-72/2															
Number of control ports															
Designation of symbols acc. to table 1.10-72/2															
Nominal volume flow $Q_N$ :	4 l/min	<input type="checkbox"/>	4	<input type="checkbox"/>											
	8 l/min	<input type="checkbox"/>	8	<input type="checkbox"/>											
Standard nominal voltage $U_N$ :	12 VDC	<input type="checkbox"/>	12	<input type="checkbox"/>											
	24 VDC	<input type="checkbox"/>	24	<input type="checkbox"/>											
Hardware configuration:															
With analog signal (-10...+10 V factory set)															<input type="checkbox"/> A2
With CANopen acc. to DSP-408 (amplifier only)															<input type="checkbox"/> C1
With Profibus DP															<input type="checkbox"/> P1
Functions:															
Amplifier															no remark
Controller with current feedback signal (0...20 mA / 4...20 mA)															<input type="checkbox"/> R1
Controller with voltage feedback signal (0...10 V)															<input type="checkbox"/> R2
Design-Index (Subject to change)															

**GENERAL SPECIFICATIONS**

Designation	4/3-way proportional valve with integrated electronics	Connections	Threaded connection plates, multi-flange subplates, longitudinal stacking system
Nominal size	NG4-Mini acc. to Wandfluh standard	Ambient temperature	-20...+65°C (typical) (The upper temperature limit is a guideline value for typical applications, in individual cases it may also be higher or lower. The electronics of the valve limit the power in case of a too high electronics temperature. More detailed information can be obtained from the operating instructions «DSV».)
Construction	Direct operated spool valve	Mounting position	any, preferably horizontal
Operations	Proportional solenoid, wet pin push type, pressure tight	Fastening torque	$M_D = 5,5 \text{ Nm}$ (quality 8.8)
Mounting	Flange, 3 fixing holes for socket head cap screws M5x40 From length M5x65 on, studs and step nuts must be used	Weight	$m = 1,8 \text{ kg}$

**TYPE CHARTS / DESIGNATIONS OF SYMBOLS**

**HYDRAULIC SPECIFICATIONS**

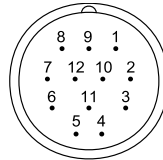
Fluid	Mineral oil, other fluid on request
Contamination efficiency	ISO 4406:1999, class 18/16/13 (Required filtration grade $\beta_{6...10} \geq 75$ ) refer to data sheet 1.0-50/2
Viscosity range	12 mm <sup>2</sup> /s...320 mm <sup>2</sup> /s
Fluid temperature	-20...+70 °C
Working pressure	$p_{max} = 315$ bar (connections P, A, B)
Tank pressure	$p_{max} = 160$ bar (connections T)
Nominal volume flow	$Q_N = 4$ l/min, 8 l/min
Max. volume flow	see characteristic
Leakage volume flow	on request
Hysteresis	≤ 5 %

**ELECTRICAL SPECIFICATIONS**

Protection class	IP 67 acc. to EN 60 529 with suitable connector and closed electronic housing
Supply voltage	12 VDC or 24 VDC
Ramps (amplifier only)	separate adjustment for up and down for each solenoid
Preset value generator (controller only)	preset value speed adjustable
Serial interface	RS 232 C for «PASO» (under cover of electronic housing settings adjusted at factory)
<i>Analog interface (MAIN):</i>	
Device receptacle (male)	M23, 12-poles
Mating connector	Plug (female), M23, 12-poles (not incl. in delivery)
Preset value signal: Parameter setting:	Voltage/current selected with software via RS 232C
<i>Fieldbus interface:</i>	
Device receptacle supply (male)	M12, 4-poles
Mating connector	Plug (female), M12, 4-poles (not incl. in delivery)
Device receptacle CANopen (male)	M12, 5-poles (acc. to DRP 303-1)
Mating connector	Plug (female), M12, 5-poles (not incl. in delivery)
Device receptacle Profibus (female)	M12, 5-poles, B-codiert (acc. to IEC 947-5-2)
Mating connector	Plug (male), M12, 5-poles, B-codet (not incl. in delivery)
Preset value signal: Parameter setting	Fieldbus via fieldbus or RS 232 C
<i>Sensor interface:</i> (controller only)	
Device receptacle sensor (female)	M12, 5-poles
Mating connector	Plug (male), M12, 5-poles (not incl. in delivery)
Feedback signal:	Voltage/current, state when ordering


**NOTE!**

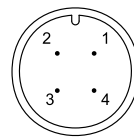
Detailed electrical characteristics and description of «DSV» electronics are shown on data sheet **1.13-75**.

**CONNECTOR WIRING DIAGRAM**
**Analog interface:**
**Device receptacle (male) X1**


- 1 = Supply voltage +
- 2 = Supply voltage 0 VDC
- 3 = Stabilised output voltage
- 4 = Preset value voltage +
- 5 = Preset value voltage -
- 6 = Preset value current +
- 7 = Preset value current -
- 8 = Reserved for extensions
- 9 = Reserved for extensions
- 10 = Enable control (Digital input)
- 11 = Error signal (Digital output)
- 12 = Chassis

Preset value voltage (PIN 4/5) resp. current (PIN 6/7) are selected with set-up and diagnosis software.

Factory setting: Voltage (-10...+10 V), (PIN 4/5)

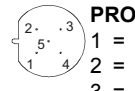
**Fieldbus interface:**
**Device receptacle supply (male) X1**

**MAIN**

- 1 = Supply voltage +
- 2 = Reserved for extensions
- 3 = Supply voltage 0 VDC
- 4 = Chassis

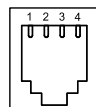
**Device receptacle CANopen (male) X3**

**CAN**

- 1 = not connected
- 2 = not connected
- 3 = CAN Gnd
- 4 = CAN High
- 5 = CAN Low

**Device receptacle Profibus (female) X3**

**PROFIBUS**

- 1 = VP
- 2 = Rx/D / Tx/D - N
- 3 = DGND
- 4 = Rx/D / Tx/D - P
- 5 = Shield

**Serial interface RS 232 C (X2) to adjust settings**


- 1 = GND
- 2 = TXD
- 3 = RXD
- 4 = not used

**Feedback signal interface**
**Device receptacle Sensor (female) X4 (controller only)**


- 1 = Supply voltage (output) +
- 2 = Feedback signal +
- 3 = Supply voltage 0 VDC
- 4 = not connected
- 5 = not connected (with analog interface)  
= stab. output voltage (with Fieldbus interface)


**NOTE!**

The mating connectors and the cable to adjust the settings are not part of the delivery. To order the cable, look up the article no. in the chapter «Accessories».

**START-UP**

Normally there is no need to adjust settings by the customer. The connectors have to be wired according to the chapter «Connector wiring diagram».

Controllers will be supplied configured as amplifiers. Switching into controller mode and setting of the adjustments of the controller must be done by the customer using the set-up software (Serial interface.)

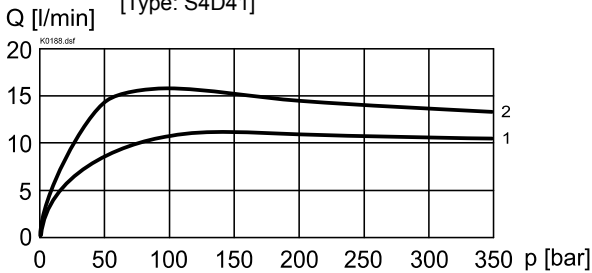
Additional information can be found on our website:

«[www.wandfluh.com](http://www.wandfluh.com)»

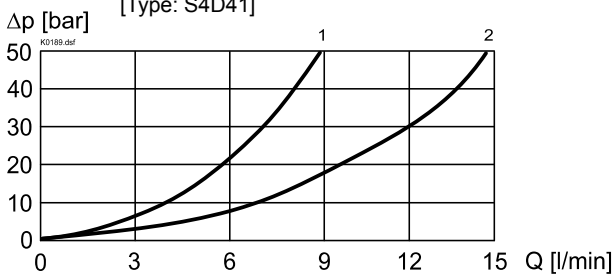
Free-of-charge download of the «PASO»-software and the instruction manual for the «DSV» hydraulic valves as well as the operation instruction **CANopen** protocol eg. **Profibus DP**-protocol with device profile DSP-408 for «DSV».

**CHARACTERISTICS** Oil viscosity  $\nu = 30 \text{ mm}^2/\text{s}$ 

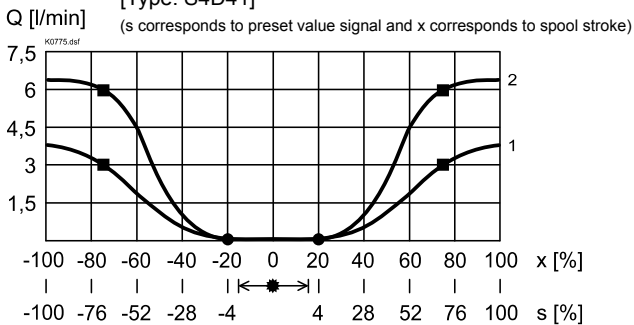
$Q = f(p)$  Volume flow pressure characteristics ( $s = 100\%$ )  
 [Type: S4D41]



$\Delta p = f(Q)$  Pressure loss/flow characteristics ( $s = 100\%$ )  
 [Type: S4D41]



$Q = f(s, x)$  Volume flow-signal-characteristics ( $\Delta p = 10 \text{ bar}$ )  
 [Type: S4D41]


**Factory settings:**

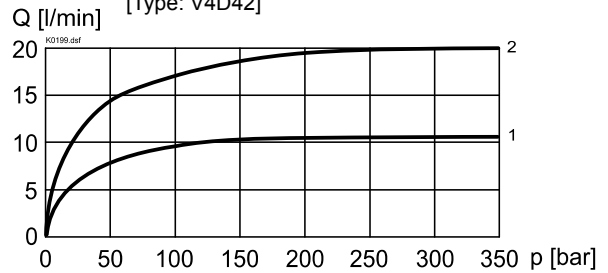
Dither set for optimal hysteresis

- ✱ = Deadband: Both solenoids switched off with command signal  $-2\% \dots +2\%$
- = Opening point: at command signal  $\pm 4\%$
- = Flow at  $\Delta p = 10 \text{ bar}$  over 2 metering edges at command signal  $\pm 70\%$   
 6,0 l/min for  $Q_N = 8 \text{ l/min}$   
 3,0 l/min for  $Q_N = 4 \text{ l/min}$

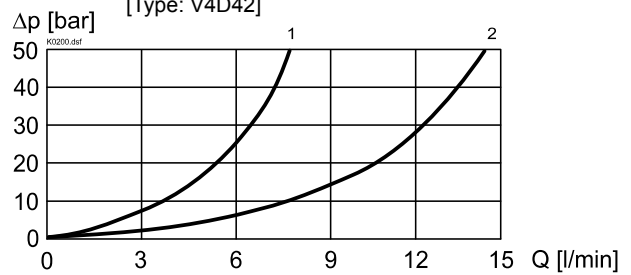
**Legend:**

- 1:  $Q_N = 4 \text{ l/min}$
- 2:  $Q_N = 8 \text{ l/min}$

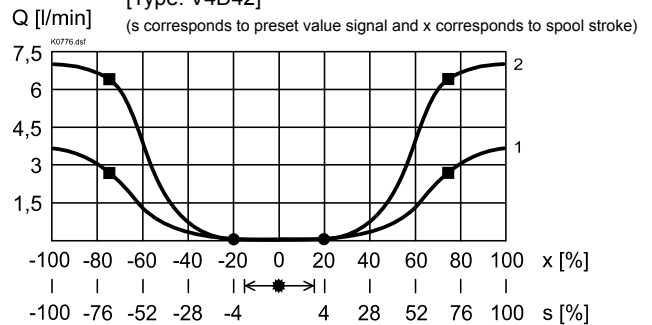
$Q = f(p)$  Volume flow pressure characteristics ( $s = 100\%$ )  
 [Type: V4D42]



$\Delta p = f(Q)$  Pressure loss/flow characteristics ( $s = 100\%$ )  
 [Type: V4D42]



$Q = f(s, x)$  Volume flow-signal-characteristics ( $\Delta p = 10 \text{ bar}$ )  
 [Type: V4D42]


**Factory settings:**

Dither set for optimal hysteresis

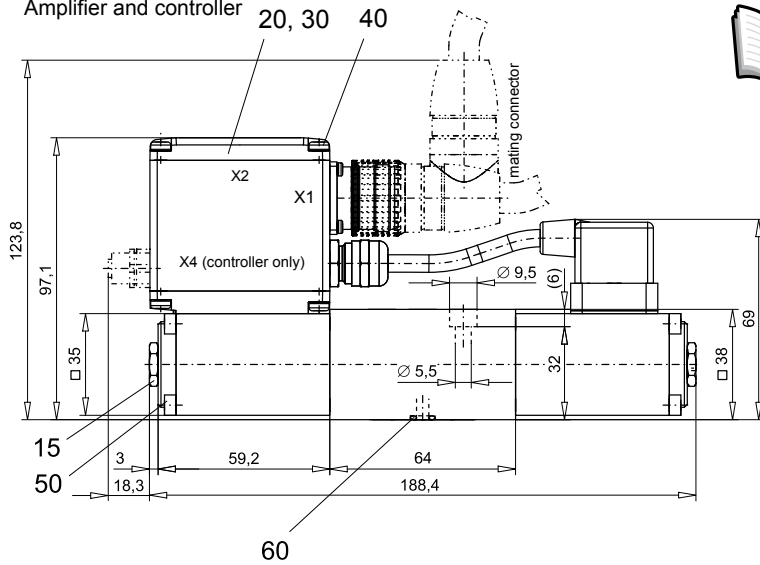
- ✱ = Deadband: Both solenoids switched off with command signal  $-2\% \dots +2\%$
- = Opening point: at command signal  $\pm 4\%$
- = Flow at  $\Delta p = 10 \text{ bar}$  over 2 metering edges at command signal  $\pm 70\%$   
 6,3 l/min for  $Q_N = 8 \text{ l/min}$   
 2,7 l/min for  $Q_N = 4 \text{ l/min}$


**NOTE!**

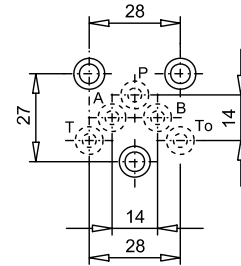
All values measured over 2 metering edges, A and B ports linked.

**DIMENSIONS**
**With analog interface**

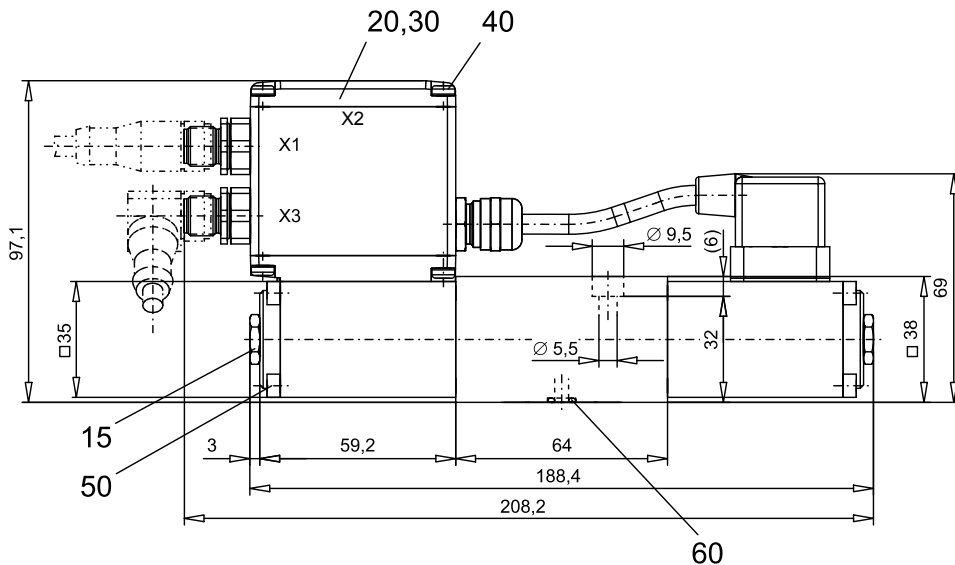
Amplifier and controller


**NOTE!**

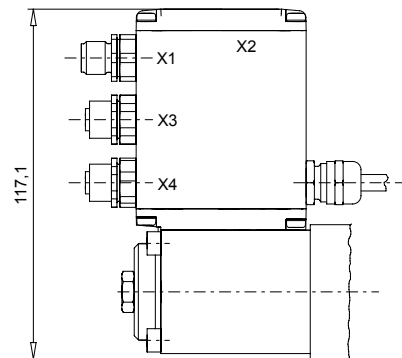
The cable connector is not part of the delivery. The dimensions refer to those of the cable connector in the chapter «Accessories».


**With fieldbus interface**

Amplifier


**With fieldbus interface**

Controller


**PARTS LIST**

Position	Article	Description
15	253.8000	Plug with integrated manual override HB4,5
20	062.0100	Cover
30	072.0021	Gasket 33x2x59,9x2
40	208.9110	Pan head screw M4x10
50	246.1161	Socket head cap screw M4x60 DIN 912
60	160.2052	O-ring ID 5,28x1,78

**ACCESSORIES**

- Set-up software see start-up
  - Cable to adjust the settings through interface RS232 C (from RJ10 to D-SUB 9 poles, female, 5 m) article no. 068.3002
  - Cable connector for analog interface:
    - straight, soldering contact article no. 219.2330
    - 90°, soldering contact article no. 219.2331
- Recommended cable size:  
 – Outer diameter 9...10,5 mm  
 – Single wire max. 1 mm<sup>2</sup>  
 – Recommended wire size:  
 0...25 m = 0,75 mm<sup>2</sup> (AWG18)  
 25...50 m = 1 mm<sup>2</sup> (AWG17)

Technical explanation see data sheet 1.0-100E